



## PROHLÁŠENÍ O VLASTNOSTECH



DoP: 0107

pro injektážní systém fischer FIS VL (Lepená kotva pro použití v betonu) – CS

1. Jedinečný identifikační kód typu výrobku: **DoP: 0107**
2. Zamýšlené/zamýšlená použití: **Dodatečné upevnění v tažené a tlačené zóně betonu, viz. doplněk, obzvláště Přílohy B 1 - B 8**
3. Výrobce: **fischerwerke GmbH & Co. KG, Klaus-Fischer-Straße 1, 72178 Waldachtal, Německo**
4. Zplnomocněný zástupce: --
5. Systém/systémy POSV: **1**
6. Evropský dokument pro posuzování: **ETAG 001; 2013-04**  
Evropské technické posouzení: **ETA-10/0352; 2017-08-10**  
Subjekt pro technické posuzování: **DIBt**  
Oznámený subjekt/oznámené subjekty: **1343 – MPA Darmstadt**
7. Deklarovaná vlastnost/Deklarované vlastnosti:  
**Mechanická odolnost a stabilita (BWR 1), Bezpečnost při použití (BWR 4)**
  - **Charakteristické hodnoty pod statickým a quasi-statickým namáháním, Posuny: Viz. doplněk, obzvláště Přílohy C 1 - C 6****Bezpečnost v případě požáru (BWR 2)**
  - **Odolnost proti ohni: Kotvení splňuje požadavky Třídy A 1**
  - **Požární odolnost: VNS**
8. Příslušná technická dokumentace a/nebo specifická technická dokumentace: ---

Vlastnosti výše uvedeného výrobku jsou ve shodě se souborem deklarovaných vlastností. Toto prohlášení o vlastnostech se v souladu s nařízením (EU) č. 305/2011 vydává na výhradní odpovědnost výrobce uvedeného výše.

Podepsáno za výrobce a jeho jménem:

Andreas Bucher, Dipl.-Ing.

Wolfgang Hengesbach, Dipl.-Ing., Dipl.-Wirtsch.-Ing.

Tumlingen, 2017-08-17

- Toto PoV bylo připraveno v různých jazykových mutacích.. V případě rozporu vždy rozhoduje interpretace verze v anglickém jazyce.
- Příloha obsahuje nepovinné a doplňkové informace v anglickém jazyce na rámec zákonných požadavků.

**Specific Part**

**1 Technical description of the product**

The fischer injection system FIS VL is a bonded anchor consisting of a cartridge with injection mortar fischer FIS VL, FIS VL High Speed or FIS VL Low Speed and a steel element.

The steel element is placed into a drilled hole filled with injection mortar and is anchored via the bond between metal part, injection mortar and concrete.

The product description is given in Annex A.

**2 Specification of the intended use in accordance with the applicable European Assessment Document**

The performances given in Section 3 are only valid if the anchor is used in compliance with the specifications and conditions given in Annex B.

The verifications and assessment methods on which this European Technical Assessment is based lead to the assumption of a working life of the anchor of at least 50 years. The indications given on the working life cannot be interpreted as a guarantee given by the producer, but are to be regarded only as a means for choosing the right products in relation to the expected economically reasonable working life of the works.

**3 Performance of the product and references to the methods used for its assessment**

**3.1 Mechanical resistance and stability (BWR 1)**

Essential characteristic	Performance
Characteristic values for static and quasi-static action, displacements	See Annex C 1 to C 6

**3.2 Safety in case of fire (BWR 2)**

Essential characteristic	Performance
Reaction to fire	Anchorage satisfy requirements for Class A1
Resistance to fire	No performance assessed

**3.3 Hygiene, health and the environment (BWR 3)**

Regarding dangerous substances there may be requirements (e.g. transposed European legislation and national laws, regulations and administrative provisions) applicable to the products falling within the scope of this European Technical Assessment. In order to meet the provisions of Regulation (EU) No 305/2011, these requirements need also to be complied with, when and where they apply.

**3.4 Safety in use (BWR 4)**

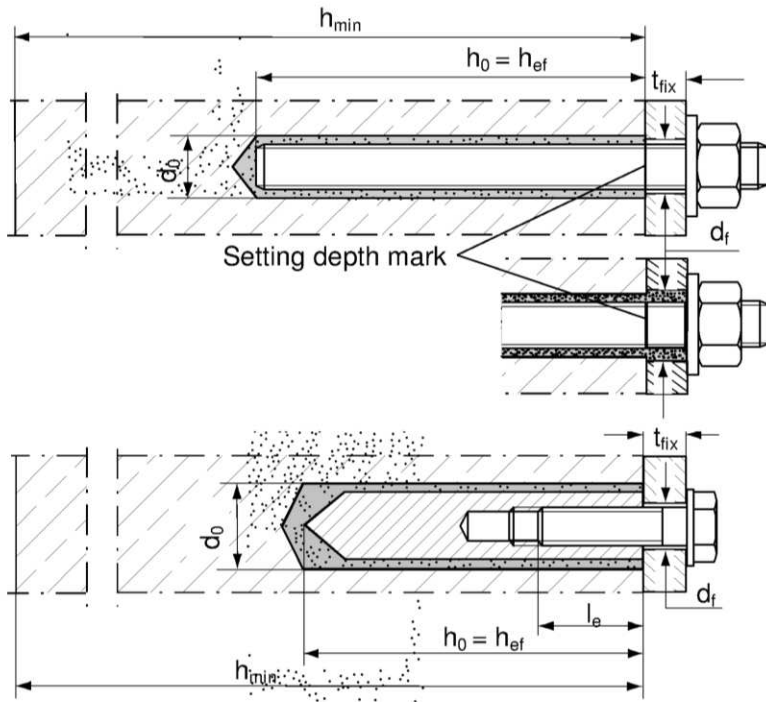
The essential characteristics regarding Safety in use are included under the Basic Works Requirement Mechanical resistance and stability.

**4 Assessment and verification of constancy of performance (AVCP) system applied, with reference to its legal base**

In accordance with guideline for European technical approval ETAG 001, April 2013 used as European Assessment Document (EAD) according to Article 66 Paragraph 3 of Regulation (EU) No 305/2011 the applicable European legal act is: [96/582/EC].

The system to be applied is: 1

**Installation conditions**



**Anchor rod**  
Pre-positioned anchor

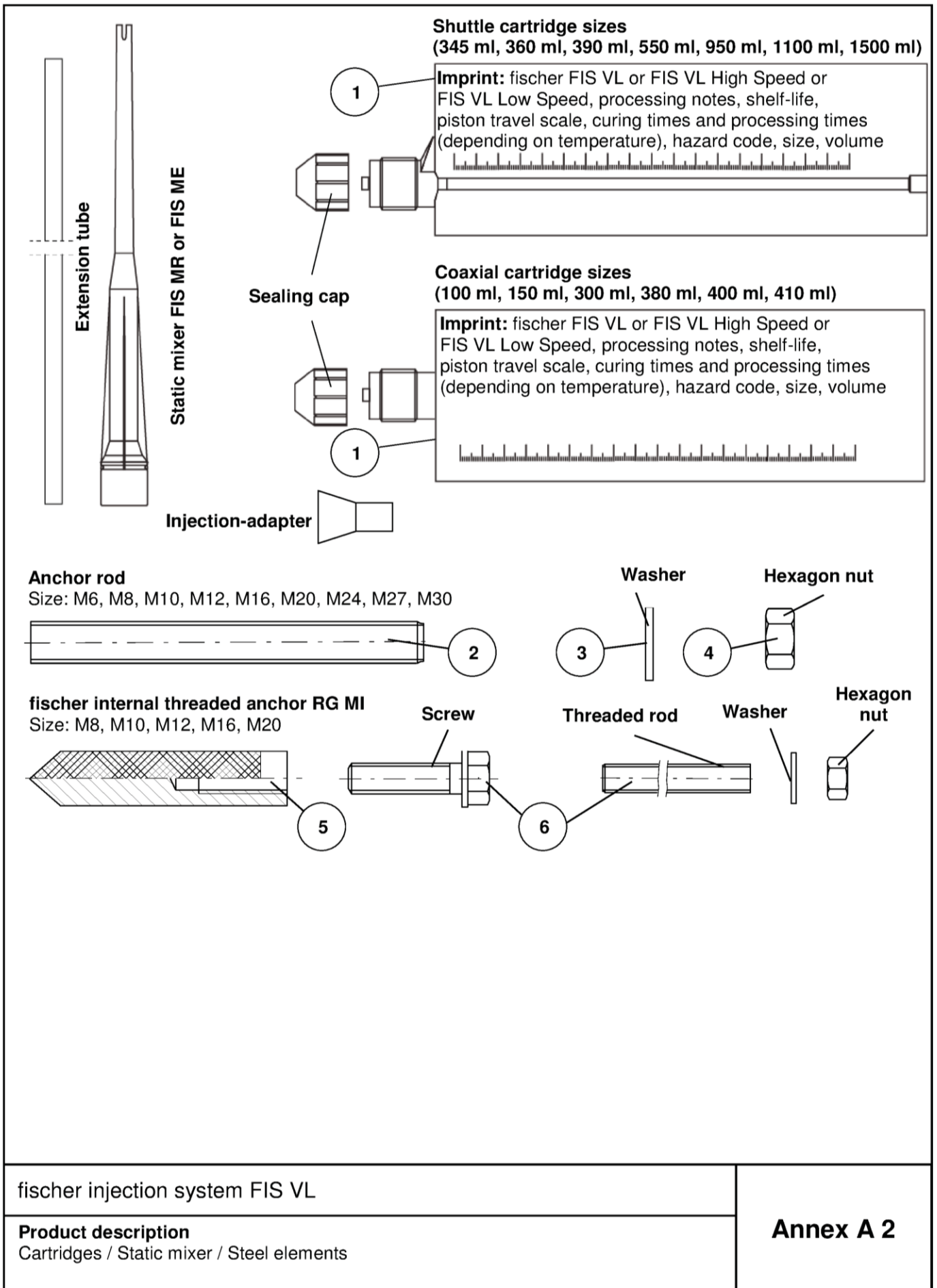
**Anchor rod**  
Push through anchor  
(annular gap filled with mortar)

**fischer**  
**internal threaded anchor RG MI**  
Pre-positioned anchor only





fischer injection system FIS VL

**Product description**  
Installation conditions

**Annex A 1**



<b>Table A1: Materials</b>				
<b>Part</b>	<b>Designation</b>	<b>Material</b>		
1	Mortar cartridge	Mortar, hardener, filler		
	Steel grade	Steel, zinc plated	Stainless steel A4	High corrosion resistant steel C
2	Anchor rod	Property class 5.8 or 8.8; EN ISO 898-1:2013 zinc plated $\geq 5 \mu\text{m}$ , EN ISO 4042:1999 A2K or hot-dip galvanised EN ISO 10684:2004 $f_{uk} \leq 1000 \text{ N/mm}^2$ $A_5 > 8 \%$ fracture elongation	Property class 50, 70 or 80 EN ISO 3506-1:2009 1.4401; 1.4404; 1.4578; 1.4571; 1.4439; 1.4362; 1.4062, 1.4662, 1.4462 EN 10088-1:2014 $f_{uk} \leq 1000 \text{ N/mm}^2$ $A_5 > 8 \%$ fracture elongation	Property class 50 or 80 EN ISO 3506-1:2009 or property class 70 with $f_{yk} = 560 \text{ N/mm}^2$ 1.4565; 1.4529 EN 10088-1:2014 $f_{uk} \leq 1000 \text{ N/mm}^2$ $A_5 > 8 \%$ fracture elongation
3	Washer ISO 7089:2000	zinc plated $\geq 5 \mu\text{m}$ , EN ISO 4042:1999 A2K or hot-dip galvanised EN ISO 10684:2004	1.4401; 1.4404; 1.4578; 1.4571; 1.4439; 1.4362 EN 10088-1:2014	1.4565; 1.4529 EN 10088-1:2014
4	Hexagon nut	Property class 5 or 8; EN ISO 898-2:2012 zinc plated $\geq 5 \mu\text{m}$ , ISO 4042:1999 A2K or hot-dip galvanised EN ISO 10684:2004	Property class 50, 70 or 80 EN ISO 3506-1:2009 1.4401; 1.4404; 1.4578; 1.4571; 1.4439; 1.4362 EN 10088-1:2014	Property class 50, 70 or 80 EN ISO 3506-1:2009 1.4565; 1.4529 EN 10088-1:2014
5	fischer internal threaded anchor RG MI	Property class 5.8 ISO 898-1:2013 zinc plated $\geq 5 \mu\text{m}$ , ISO 4042:1999 A2K	Property class 70 EN ISO 3506-1:2009 1.4401; 1.4404; 1.4578; 1.4571; 1.4439; 1.4362 EN 10088-1:2014	Property class 70 EN ISO 3506-1:2009 1.4565; 1.4529 EN 10088-1:2014
6	Commercial standard screw or anchor / threaded rod for fischer internal threaded anchor RG MI	Property class 5.8 or 8.8; EN ISO 898-1:2013 zinc plated $\geq 5 \mu\text{m}$ , ISO 4042:1999 A2K fracture elongation $A_5 > 8 \%$	Property class 70 EN ISO 3506-1:2009 1.4401; 1.4404; 1.4578; 1.4571; 1.4439; 1.4362 EN 10088-1:2014 fracture elongation $A_5 > 8 \%$	Property class 70 EN ISO 3506-1:2009 1.4565; 1.4529 EN 10088-1:2014 fracture elongation $A_5 > 8 \%$
fischer injection system FIS VL				<b>Annex A 3</b>
<b>Product description</b> Materials				

<b>Specifications of intended use (part 1)</b>					
<b>Table B1: Overview use and performance categories</b>					
Anchorages subject to		<b>FIS VL, FIS VL High Speed or FIS VL Low Speed with ...</b>			
		Anchor rod 		fischer internal threaded anchor RG MI 	
Hammer drilling with standard drill bit 		all sizes			
Hammer drilling with hollow drill bit (Heller "Duster Expert" or Hilti "TE-CD, TE-YD") 		Nominal drill bit diameter ( $d_0$ ) 12 mm to 35 mm			
Static and quasi static load, in	uncracked concrete	M6 to M30	Tables: C1, C3, C4, C6	M8 to M20	Tables: C2, C3, C5, C7
	cracked concrete	M10 to M20		not assessed	
Use category	dry or wet concrete	M6 to M30		M8 to M20	
	flooded hole <sup>1)</sup>	M12 to M30		M8 to M20	
Installation temperature		-10 °C to +40 °C			
In-service temperature	Temperature range I	-40 °C to +80 °C (max. long term temperature +50 °C and max. short term temperature +80 °C)			
	Temperature range II	-40 °C to +120 °C (max. long term temperature +72 °C and max. short term temperature +120 °C)			
<sup>1)</sup> Only with coaxial cartridges: 380 ml, 400 ml, 410 ml					
fischer injection system FIS VL					<b>Annex B 1</b>
<b>Intended Use</b> Specifications (part 1)					

**Specifications of intended use (part 2)**

**Base materials:**

- Reinforced or unreinforced normal weight concrete Strength classes C20/25 to C50/60 according to EN 206-1:2000

**Use conditions (Environmental conditions):**

- Structures subject to dry internal conditions (zinc coated steel, stainless steel or high corrosion resistant steel)
- Structures subject to external atmospheric exposure (including industrial and marine environment) and to permanently damp internal condition, if no particular aggressive conditions exist (stainless steel or high corrosion resistant steel)
- Structures subject to external atmospheric exposure, to permanently damp internal conditions or in other particular aggressive conditions (high corrosion resistant steel)

Note: Particular aggressive conditions are e. g. permanent, alternating immersion in seawater or the splash zone of seawater, chloride atmosphere of indoor swimming pools or atmosphere with extreme chemical pollution (e. g. in desulphurization plants or road tunnels where de-icing materials are used)

**Design:**

- Anchorages have to be designed by a responsible engineer with experience of concrete anchor design
- Verifiable calculation notes and drawings are to be prepared taking account of the loads to be anchored. The position of the anchor is indicated on the design drawings (e. g. position of the anchor relative to reinforcement or to supports, etc.)
- Anchorages under static or quasi-static actions are designed in accordance with EOTA Technical Report TR 029 "Design of bonded anchors" Edition September 2010 or CEN/TS 1992-4: 2009

**Installation:**

- Anchor installation is to be carried out by appropriately qualified personnel and under the supervision of the person responsible for technical matters of the site
- In case of aborted hole: The hole shall be filled with mortar
- Anchorage depth should be marked and adhered to on installation
- Overhead installation is allowed

fischer injection system FIS VL

**Intended Use**  
Specifications (part 2)

**Annex B 2**



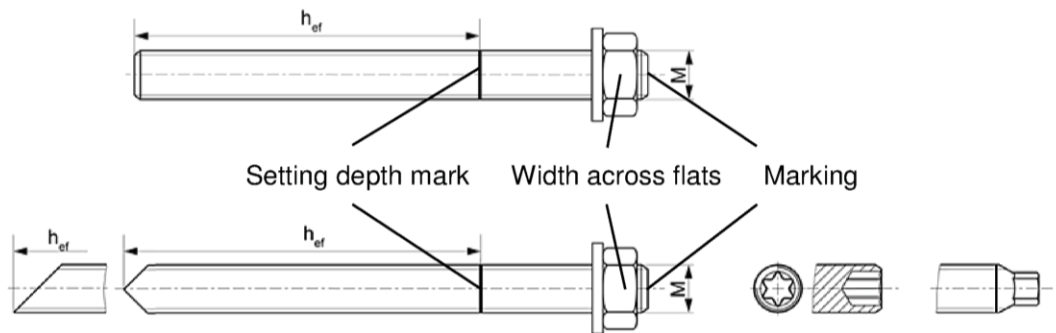
**Table B2:** Installation parameters for anchor rods

Size		M6	M8	M10	M12	M16	M20	M24	M27	M30	
Width across flats	SW	10	13	17	19	24	30	36	41	46	
Nominal drill bit diameter	$d_0$	8	10	12	14	18	24	28	30	35	
Drill hole depth	$h_0$	$h_0 = h_{ef}$									
Effective anchorage depth	$h_{ef,min}$	50	60	60	70	80	90	96	108	120	
	$h_{ef,max}$	72	160	200	240	320	400	480	540	600	
Minimum spacing and minimum edge distance	$s_{min}$ =	40	40	45	55	65	85	105	125	140	
	$c_{min}$										
Diameter of clearance hole in the fixture <sup>1)</sup>	pre-positioned anchorage $d_f$	7	9	12	14	18	22	26	30	33	
	push through anchorage $d_f$	9	11	14	16	20	26	30	32	40	
Minimum thickness of concrete member	$h_{min}$	$h_{ef} + 30$ ( $\geq 100$ )				$h_{ef} + 2d_0$					
Maximum installation torque	$T_{inst,max}$	[Nm]	5	10	20	40	60	120	150	200	300

<sup>1)</sup> For larger clearance holes in the fixture see TR 029, 4.2.2.1 or CEN/TS 1992-4-1:2009, 5.2.3.1

**Anchor rods:**

**fischer FIS A**



**Marking (on random place) fischer anchor rod:**

Property class 8.8, stainless steel A4 property class 80 and high corrosion resistant steel C property class 80: •

Stainless steel A4 property class 50 and high corrosion resistant steel C property class 50: ••

Or colour coding according to DIN 976-1

**Commercial standard threaded rods, washers and hexagon nuts may also be used if the following requirements are fulfilled:**

- Materials, dimensions and mechanical properties according Annex A 3, Table A1
- Inspection certificate 3.1 according to EN 10204:2004, the documents have to be stored
- Setting depth is marked

fischer injection system FIS VL

**Intended Use**  
Installation parameters anchor rods

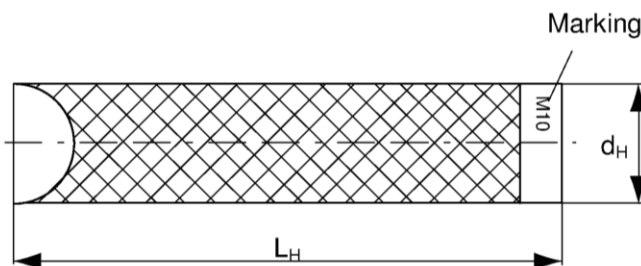
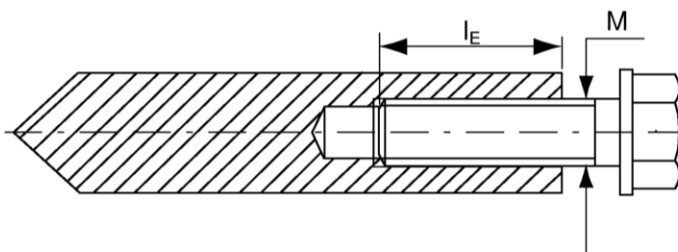
**Annex B 3**

**Table B3:** Installation parameters for fischer internal threaded anchors RG MI

Size		M8	M10	M12	M16	M20
Diameter of anchor	$d_H$	12	16	18	22	28
Nominal drill bit diameter	$d_0$	14	18	20	24	32
Drill hole depth	$h_0$	$h_0 = h_{ef} = L_H$				
Effective anchorage depth ( $h_{ef} = L_H$ )	$h_{ef}$	90	90	125	160	200
Minimum spacing and minimum edge distance	$s_{min} = c_{min}$	55	65	75	95	125
Diameter of clearance hole in the fixture <sup>1)</sup>	$d_f$	9	12	14	18	22
Minimum thickness of concrete member	$h_{min}$	120	125	165	205	260
Maximum screw-in depth	$l_{E,max}$	18	23	26	35	45
Minimum screw-in depth	$l_{E,min}$	8	10	12	16	20
Maximum installation torque	$T_{inst,max}$ [Nm]	10	20	40	80	120

<sup>1)</sup> For larger clearance holes in the fixture see TR 029, 4.2.2.1 or CEN/TS 1992-4-1: 2009, 5.2.3.1

**fischer internal threaded anchor RG MI**



**Marking:** Anchor size  
e. g.: **M10**

Stainless steel additional **A4**  
e. g.: **M10 A4**

High corrosion resistant steel  
additional **C**  
e. g.: **M10 C**

Retaining bolt or threaded rods (including nut and washer) must comply with the appropriate material and strength class of Annex A 3, Table A1

fischer injection system FIS VL

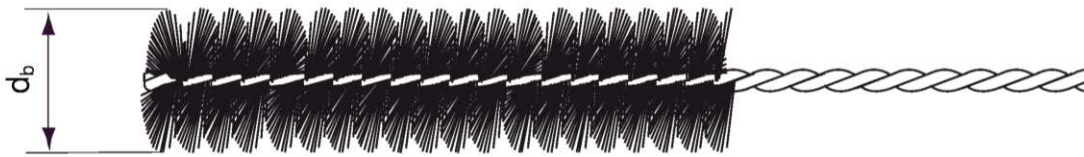
**Intended Use**  
Installation parameters fischer internal threaded anchors RG MI

**Annex B 4**

**Table B4:** Diameters of cleaning brush BS (steel brush)

The size of the steel brush refers to the nominal drill bit diameter

Nominal drill bit diameter	$d_0$	[mm]	8	10	12	14	16	18	20	24	25	28	30	35
Steel brush diameter	$d_b$		9	11	14	16	20		25	26	27	30	40	



**Table B5:** Maximum processing time of the mortar and minimum curing time  
(During the curing time of the mortar the concrete temperature may not fall below the listed minimum temperature)

System temperature [°C]	Maximum processing time $t_{work}$			Minimum curing time <sup>1)</sup> $t_{cure}$		
	FIS VL High Speed	FIS VL	FIS VL Low Speed	FIS VL High Speed	FIS VL	FIS VL Low Speed
-10 to -5	---	---	---	12 h	---	---
> -5 to $\pm 0$	5 min	---	---	3 h	24 h	---
> $\pm 0$ to +5	5 min	13 min	---	3 h	3 h	6 h
> +5 to +10	3 min	9 min	20 min	50 min	90 min	3 h
> +10 to +20	1 min	5 min	10 min	30 min	60 min	2 h
> +20 to +30	---	4 min	6 min	---	45 min	60 min
> +30 to +40	---	2 min	4 min	---	35 min	30 min

<sup>1)</sup> In wet concrete or flooded holes the curing times must be doubled

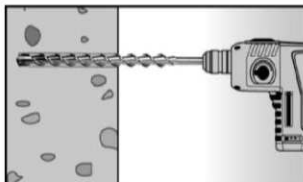
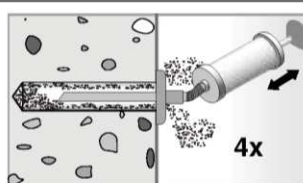
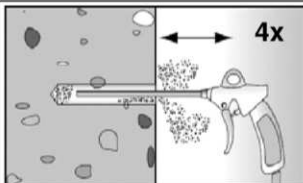
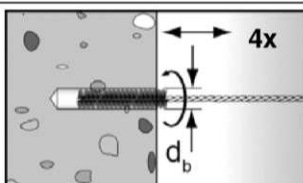
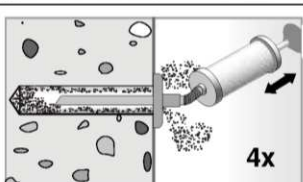
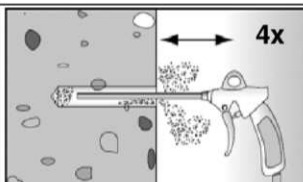
fischer injection system FIS VL

**Intended Use**  
Cleaning tools  
Processing times and curing times

**Annex B 5**

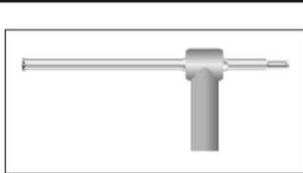
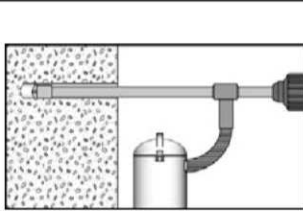
**Installation instructions part 1**

**Drilling and cleaning the hole (hammer drilling with standard drill bit)**

1		<p>Drill the hole. Drill hole diameter <math>d_0</math> and drill hole depth <math>h_0</math> see <b>Tables B2, B3</b></p>	
2		<p>Clean the drill hole: For <math>h_{ef} \leq 12d</math> and <math>d_0 &lt; 18</math> mm blow out the hole four times by hand</p>	 <p>For <math>h_{ef} &gt; 12d</math> and / or <math>d_0 \geq 18</math> mm blow out the hole four times with oil-free compressed air (<math>p \geq 6</math> bar)</p>
3		<p>Brush the drill hole four times. For deep holes use an extension. Corresponding brushes see <b>Table B4</b></p>	
4		<p>Clean the drill hole: For <math>h_{ef} \leq 12d</math> and <math>d_0 &lt; 18</math> mm blow out the hole four times by hand</p>	 <p>For <math>h_{ef} &gt; 12d</math> and / or <math>d_0 \geq 18</math> mm blow out the hole four times with oil-free compressed air (<math>p \geq 6</math> bar)</p>

Go to step 5

**Drilling and cleaning the hole (hammer drilling with hollow drill bit)**

1		<p>Check a suitable hollow drill (see <b>Table B1</b>) for correct operation of the dust extraction</p>
2		<p>Use a suitable dust extraction system, e. g. Bosch GAS 35 M AFC or a comparable dust extraction system with equivalent performance data</p> <p>Drill the hole with hollow drill bit. The dust extraction system has to extract the drill dust nonstop during the drilling process and must be adjusted to maximum power. Diameter of drill hole <math>d_0</math> and drill hole depth <math>h_0</math> see <b>Tables B2, B3</b></p>

Go to step 5

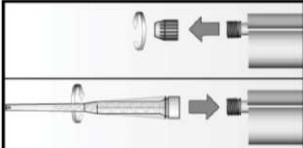
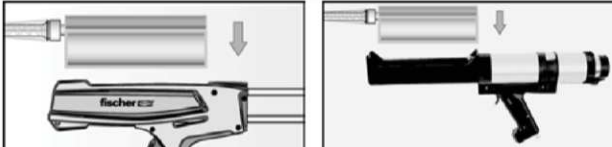

fischer injection system FIS VL

**Intended use**  
Installation instructions part 1

**Annex B 6**

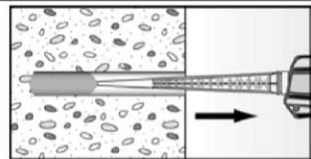
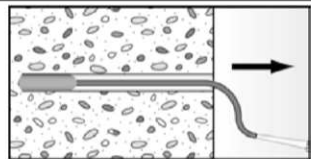
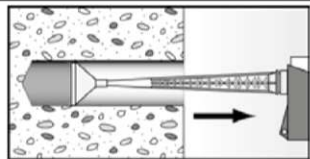
**Installation instructions part 2**

Preparing the cartridge

5		<p>Remove the sealing cap</p> <p>Screw on the static mixer (the spiral in the static mixer must be clearly visible)</p>
6		<p>Place the cartridge into the dispenser</p>
7		<p>Extrude approximately 10 cm of material until the resin is evenly grey in colour. Do not use mortar that is not uniformly grey</p>

Go to step 8

**Mörtelinjektion**

8	 <p>Fill approximately 2/3 of the drill hole with mortar. Always begin from the bottom of the hole and avoid bubbles</p>	 <p>For drill hole depth <math>\geq 150</math> mm use an extension tube</p>	 <p>For overhead installation, deep holes (<math>h_0 &gt; 250</math> mm) or drill hole diameter (<math>d_0 \geq 40</math> mm) use an injection-adapter</p>
---	--	---	--

Go to step 9

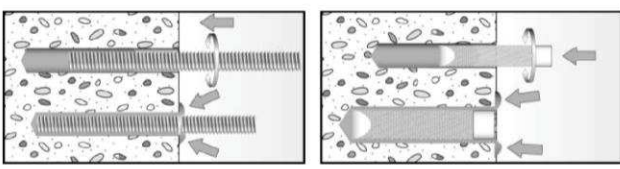
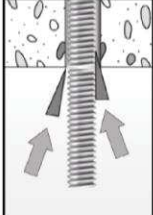
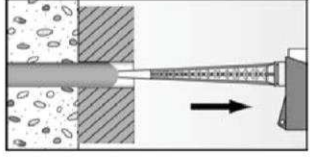

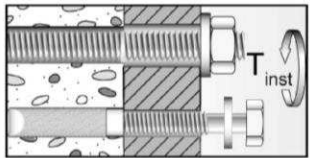
fischer injection system FIS VL

**Intended use**  
Installation instructions part 2

**Annex B 7**

**Installation instructions part 3**

Installation of anchor rods or fischer internal threaded anchors RG MI

<p>9</p>		<p>Only use clean and oil-free anchor elements. Mark the setting depth of the anchor. Push the anchor rod or fischer internal threaded RG MI anchor down to the bottom of the hole, turning it slightly while doing so. After inserting the anchor element, excess mortar must be emerged around the anchor element.</p>
	 <p>For overhead installations support the anchor rod with wedges. (e. g. fischer centering wedges)</p>	 <p>For push through installation fill the annular gap with mortar</p>
<p>10</p>	 <p>Wait for the specified curing time <math>t_{cure}</math> see <b>Table B5</b></p>	<p>11</p>  <p>Mounting the fixture <math>T_{inst,max}</math> see <b>Tables B2 and B3</b></p>

<p>fischer injection system FIS VL</p>	<p><b>Annex B 8</b></p>
<p><b>Intended use</b> Installation instructions part 3</p>	

<b>Table C1: Characteristic values for the steel bearing capacity of anchor rods under tensile / shear load</b>												
<b>Size</b>			<b>M6</b>	<b>M8</b>	<b>M10</b>	<b>M12</b>	<b>M16</b>	<b>M20</b>	<b>M24</b>	<b>M27</b>	<b>M30</b>	
<b>Bearing capacity under tensile load, steel failure</b>												
Charact.bearing capacity $N_{Rk,s}$	Steel zinc plated	5.8	[kN]	10	19	29	43	79	123	177	230	281
		8.8		16	29	47	68	126	196	282	368	449
	Stainless steel A4 and High corrosion resistant steel C	50		10	19	29	43	79	123	177	230	281
		70		14	26	41	59	110	172	247	322	393
		80		16	30	47	68	126	196	282	368	449
<b>Partial safety factors<sup>1)</sup></b>												
Partial safety factor $\gamma_{Ms,N}$	Steel zinc plated	5.8	[-]	1,50								
		8.8		1,50								
	Stainless steel A4 and High corrosion resistant steel C	50		2,86								
		70		1,50 <sup>2)</sup> / 1,87								
		80		1,60								
<b>Bearing capacity under shear load, steel failure</b>												
<b>without lever arm</b>												
Charact.bearing capacity $V_{Rk,s}$	Steel zinc plated	5.8	[kN]	5	9	15	21	39	61	89	115	141
		8.8		8	15	23	34	63	98	141	184	225
	Stainless steel A4 and High corrosion resistant steel C	50		5	9	15	21	39	61	89	115	141
		70		7	13	20	30	55	86	124	161	197
		80		8	15	23	34	63	98	141	184	225
Ductility factor acc. to CEN/TS 1992-4-5:2009 Section 6.3.2.1			$k_2$	[-]	1,0							
<b>with lever arm</b>												
Charact. bending moment $M_{Rk,s}$	Steel zinc plated	5.8	[Nm]	7	19	37	65	166	324	560	833	1123
		8.8		12	30	60	105	266	519	896	1333	1797
	Stainless steel A4 and High corrosion resistant steel C	50		7	19	37	65	166	324	560	833	1123
		70		10	26	52	92	232	454	784	1167	1573
		80		12	30	60	105	266	519	896	1333	1797
<b>Partial safety factors<sup>1)</sup></b>												
Partial safety factor $\gamma_{Ms,V}$	Steel zinc plated	5.8	[-]	1,25								
		8.8		1,25								
	Stainless steel A4 and High corrosion resistant steel C	50		2,38								
		70		1,25 <sup>2)</sup> / 1,56								
		80		1,33								
<sup>1)</sup> In absence of other national regulations <sup>2)</sup> Only for fischer FIS A and RG M made of high corrosion-resistant steel C												
fischer injection system FIS VL										<b>Annex C 1</b>		
<b>Performances</b> Characteristic steel bearing capacity anchor rods												

<b>Table C2: Characteristic values for the steel bearing capacity of fischer internal threaded anchors RG MI under tensile / shear load</b>									
<b>Size</b>			<b>M8</b>	<b>M10</b>	<b>M12</b>	<b>M16</b>	<b>M20</b>		
<b>Bearing capacity under tensile load, steel failure</b>									
Characteristic bearing capacity with screw	$N_{Rk,s}$	Property class	5.8	[kN]	19	29	43	79	123
			8.8		29	47	68	108	179
		Property class 70	A4		26	41	59	110	172
			C		26	41	59	110	172
<b>Partial safety factors<sup>1)</sup></b>									
Partial safety factor	$\gamma_{Ms,N}$	Property class	5.8	[-]	1,50				
			8.8		1,50				
		Property class 70	A4		1,87				
			C		1,87				
<b>Bearing capacity under shear load, steel failure</b>									
<b>without lever arm</b>									
Characteristic bearing capacity with screw	$V_{Rk,s}$	Property class	5.8	[kN]	9,2	14,5	21,1	39,2	62,0
			8.8		14,6	23,2	33,7	54,0	90,0
		Property class 70	A4		12,8	20,3	29,5	54,8	86,0
			C		12,8	20,3	29,5	54,8	86,0
Ductility factor acc. to CEN/TS 1992-4-5:2009 Section 6.3.2.1			$k_2$	[-]	1,0				
<b>with lever arm</b>									
Characteristic bending moment with screw	$M^0_{Rk,s}$	Property class	5.8	[Nm]	20	39	68	173	337
			8.8		30	60	105	266	519
		Property class 70	A4		26	52	92	232	454
			C		26	52	92	232	454
<b>Partial safety factors<sup>1)</sup></b>									
Partial safety factor	$\gamma_{Ms,V}$	Property class	5.8	[-]	1,25				
			8.8		1,25				
		Property class 70	A4		1,56				
			C		1,56				
<sup>1)</sup> In absence of other national regulations									
fischer injection system FIS VL								<b>Annex C 2</b>	
<b>Performances</b> Characteristic steel bearing capacity of fischer internal threaded anchors RG MI									



<b>Table C3: General design factors for the bearing capacity under tensile / shear load; uncracked or cracked concrete</b>											
Size			All sizes								
<b>Bearing capacity under tensile load</b>											
<b>Factors acc. to CEN/TS 1992-4:2009 Section 6.2.2.3</b>											
Uncracked concrete	$k_{ucr}$	[-]	10,1								
Cracked concrete	$k_{cr}$		7,2								
<b>Factors for the compressive strength of concrete &gt; C20/25</b>											
Increasing factor for $\tau_{Rk}$	C25/30	$\Psi_c$	[-]	1,05							
	C30/37			1,10							
	C35/45			1,15							
	C40/50			1,19							
	C45/55			1,22							
	C50/60			1,26							
<b>Splitting failure</b>											
Edge distance	$h / h_{ef} \geq 2,0$	$c_{cr,sp}$	[mm]	1,0 $h_{ef}$							
	$2,0 > h / h_{ef} > 1,3$			4,6 $h_{ef} - 1,8 h$							
	$h / h_{ef} \leq 1,3$			2,26 $h_{ef}$							
Spacing	$s_{cr,sp}$			2 $c_{cr,sp}$							
<b>Concrete cone failure acc. to CEN/TS 1992-4-5:2009 Section 6.2.3.2</b>											
Edge distance	$c_{cr,N}$	[mm]	1,5 $h_{ef}$								
Spacing	$s_{cr,N}$		2 $c_{cr,N}$								
<b>Bearing capacity under shear load</b>											
<b>Installation safety factors</b>											
All installation conditions	$\gamma_2 = \gamma_{inst}$	[-]	1,2								
<b>Concrete pry-out failure</b>											
Factor k acc. to TR029 Section 5.2.3.3 resp. $k_3$ acc. to CEN/TS 1992-4-5:2009 Section 6.3.3	$k_{(3)}$	[-]	2,0								
<b>Concrete edge failure</b>											
The value of $h_{ef}$ (= $l_t$ ) under shear load		[mm]	min ( $h_{ef}$ ; 8d)								
<b>Calculation diameters</b>											
Size			M6	M8	M10	M12	M16	M20	M24	M27	M30
Anchor rods	d	[mm]	6	8	10	12	16	20	24	27	30
fischer internal threaded anchors RG MI	$d_{nom}$		---	12	16	18	22	28	---	---	---
fischer injection system FIS VL									<b>Annex C 3</b>		
<b>Performances</b> General design factors relating to the characteristic bearing capacity under tensile / shear load											

<b>Table C4: Characteristic values of resistance for anchor rods in hammer drilled holes; uncracked or cracked concrete</b>													
Size	M6	M8	M10	M12	M16	M20	M24	M27	M30				
<b>Combined pullout and concrete cone failure</b>													
Calculation diameter	d	[mm]	6	8	10	12	16	20	24	27	30		
<b>Uncracked concrete</b>													
<b>Characteristic bond resistance in uncracked concrete C20/25</b>													
Hammer-drilling with standard drill bit or hollow drill bit (dry and wet concrete)													
Tem- perature range	I: 50 °C / 80 °C		$\tau_{RK,ucr}$	[N/mm <sup>2</sup> ]	9,0	11,0	11,0	11,0	10,0	9,5	9,0	8,5	8,5
	II: 72 °C / 120 °C				6,5	9,5	9,5	9,0	8,5	8,0	7,5	7,0	7,0
Hammer-drilling with standard drill bit or hollow drill bit (flooded hole) <sup>1)</sup>													
Tem- perature range	I: 50 °C / 80 °C		$\tau_{RK,ucr}$	[N/mm <sup>2</sup> ]	---	---	---	9,5	8,5	8,0	7,5	7,0	7,0
	II: 72 °C / 120 °C				---	---	---	7,5	7,0	6,5	6,0	6,0	6,0
<b>Installation safety factors</b>													
Dry and wet concrete		$\gamma_2 = \gamma_{inst}$	[-]	1,2									
Flooded hole				---				1,4 <sup>1)</sup>					
<b>Cracked concrete</b>													
<b>Characteristic bond resistance in cracked concrete C20/25</b>													
Hammer-drilling with standard drill bit or hollow drill bit (dry and wet concrete)													
Tem- perature range	I: 50 °C / 80 °C		$\tau_{RK,cr}$	[N/mm <sup>2</sup> ]	---	---	6,0	6,0	6,0	5,5	---	---	---
	II: 72 °C / 120 °C				---	---	5,0	5,0	5,0	5,0	---	---	---
Hammer-drilling with standard drill bit or hollow drill bit (flooded hole) <sup>1)</sup>													
Tem- perature range	I: 50 °C / 80 °C		$\tau_{RK,cr}$	[N/mm <sup>2</sup> ]	---	---	---	5,0	5,0	4,5	---	---	---
	II: 72 °C / 120 °C				---	---	---	4,0	4,0	4,0	---	---	---
<b>Installation safety factors</b>													
Dry and wet concrete		$\gamma_2 = \gamma_{inst}$	[-]	1,2									
Flooded hole				---				1,4 <sup>1)</sup>					
<sup>1)</sup> Only with coaxial cartridges: 380 ml, 400 ml, 410 ml													
fischer injection system FIS VL										<b>Annex C 4</b>			
<b>Performances</b> Characteristic values for static or quasi-static action under tensile load for anchor rods (uncracked or cracked concrete)													

<b>Table C5: Characteristic values of resistance for fischer internal threaded anchors RG MI in hammer drilled holes; uncracked concrete</b>									
<b>Size</b>		<b>M8</b>	<b>M10</b>	<b>M12</b>	<b>M16</b>	<b>M20</b>			
<b>Combined pullout and concrete cone failure</b>									
Calculation diameter	d	[mm]	12	16	18	22	28		
<b>Uncracked concrete</b>									
<b>Characteristic bond resistance in uncracked concrete C20/25</b>									
<u>Hammer-drilling with standard drill bit or hollow drill bit (dry and wet concrete)</u>									
Tem- perature range	I: 50 °C / 80 °C		$\tau_{Rk,ucr}$	[N/mm <sup>2</sup> ]	10,5	10,0	9,5	9,0	8,5
	II: 72 °C / 120 °C								
<u>Hammer-drilling with standard drill bit or hollow drill bit (flooded hole)<sup>1)</sup></u>									
Tem- perature range	I: 50 °C / 80 °C		$\tau_{Rk,ucr}$	[N/mm <sup>2</sup> ]	10,0	9,0	9,0	8,5	8,0
	II: 72 °C / 120 °C								
<b>Installation safety factors</b>									
Dry and wet concrete		$\gamma_2 = \gamma_{inst}$	[-]					1,2	
Flooded hole								1,4 <sup>1)</sup>	
<sup>1)</sup> Only with coaxial cartridges: 380 ml, 400 ml, 410 ml									
fischer injection system FIS VL							<b>Annex C 5</b>		
<b>Performances</b> Characteristic values for static or quasi-static action under tensile load for fischer internal threaded anchors RG MI and reinforcing bars (uncracked concrete)									

<b>Table C6: Displacements for anchor rods</b>										
Size		M6	M8	M10	M12	M16	M20	M24	M27	M30
<b>Displacement-Factors for tensile load<sup>1)</sup></b>										
<b>Uncracked concrete; Temperature range I, II</b>										
$\delta_{N0}$ -Faktor	[mm/(N/mm <sup>2</sup> )]	0,09	0,09	0,09	0,10	0,10	0,10	0,10	0,11	0,12
$\delta_{N\infty}$ -Faktor		0,10	0,10	0,10	0,12	0,12	0,12	0,13	0,13	0,14
<b>Cracked concrete; Temperature range I, II</b>										
$\delta_{N0}$ -Faktor	[mm/(N/mm <sup>2</sup> )]	---	---	0,12	0,12	0,13	0,13	---	---	---
$\delta_{N\infty}$ -Faktor		---	---	0,27	0,30	0,30	0,30	---	---	---
<b>Displacement-Factors for shear load<sup>2)</sup></b>										
<b>Uncracked or cracked concrete; Temperature range I, II</b>										
$\delta_{V0}$ -Faktor	[mm/kN]	0,11	0,11	0,11	0,10	0,10	0,09	0,09	0,08	0,07
$\delta_{V\infty}$ -Faktor		0,12	0,12	0,12	0,11	0,11	0,10	0,10	0,09	0,09
<sup>1)</sup> Calculation of effective displacement: $\delta_{N0} = \delta_{N0\text{-Faktor}} \cdot \tau_{Ed}$ $\delta_{N\infty} = \delta_{N\infty\text{-Faktor}} \cdot \tau_{Ed}$ ( $\tau_{Ed}$ : Design value of the applied tensile stress)					<sup>2)</sup> Calculation of effective displacement: $\delta_{V0} = \delta_{V0\text{-Faktor}} \cdot V_{Ed}$ $\delta_{V\infty} = \delta_{V\infty\text{-Faktor}} \cdot V_{Ed}$ ( $V_{Ed}$ : Design value of the applied shear force)					
<b>Table C7: Displacements for fischer internal threaded anchors RG MI</b>										
Size		M8	M10	M12	M16	M20				
<b>Displacement-Factors for tensile load<sup>1)</sup></b>										
<b>Uncracked concrete; Temperature range I, II</b>										
$\delta_{N0}$ -Faktor	[mm/(N/mm <sup>2</sup> )]	0,10	0,11	0,12	0,13	0,14				
$\delta_{N\infty}$ -Faktor		0,13	0,14	0,15	0,16	0,18				
<b>Displacement-Factors for shear load<sup>2)</sup></b>										
<b>Uncracked concrete; Temperature range I, II</b>										
$\delta_{V0}$ -Faktor	[mm/kN]	0,12	0,12	0,12	0,12	0,12				
$\delta_{V\infty}$ -Faktor		0,14	0,14	0,14	0,14	0,14				
<sup>1)</sup> Calculation of effective displacement: $\delta_{N0} = \delta_{N0\text{-Faktor}} \cdot \tau_{Ed}$ $\delta_{N\infty} = \delta_{N\infty\text{-Faktor}} \cdot \tau_{Ed}$ ( $\tau_{Ed}$ : Design value of the applied tensile stress)					<sup>2)</sup> Calculation of effective displacement: $\delta_{V0} = \delta_{V0\text{-Faktor}} \cdot V_{Ed}$ $\delta_{V\infty} = \delta_{V\infty\text{-Faktor}} \cdot V_{Ed}$ ( $V_{Ed}$ : Design value of the applied shear force)					
fischer injection system FIS VL									<b>Annex C 6</b>	
<b>Performances</b> Displacements for anchor rods and fischer internal threaded anchors RG MI										